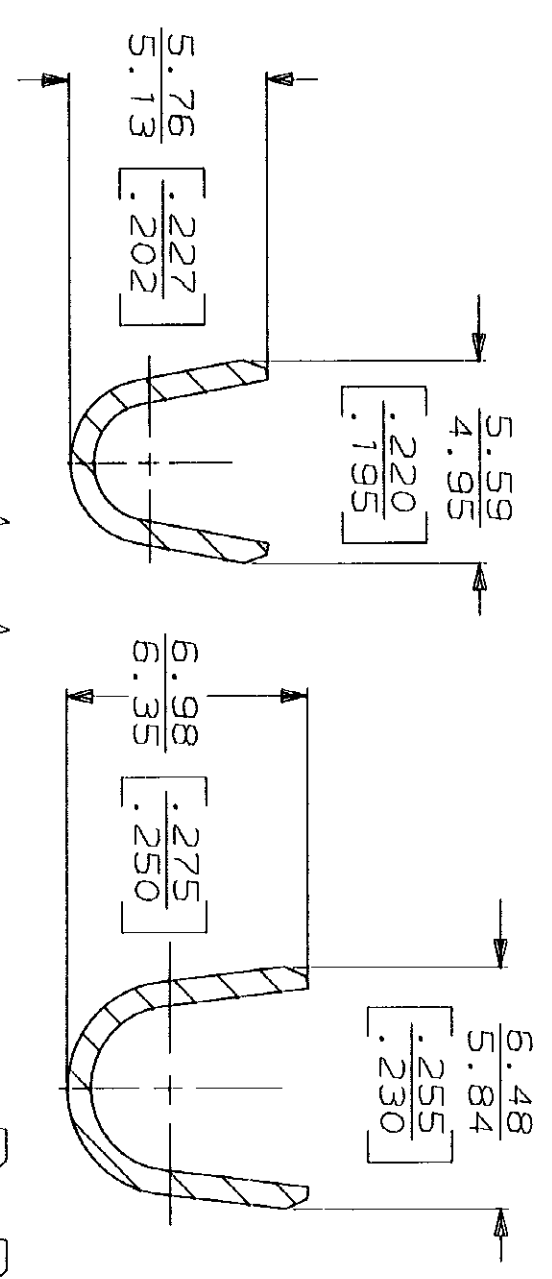
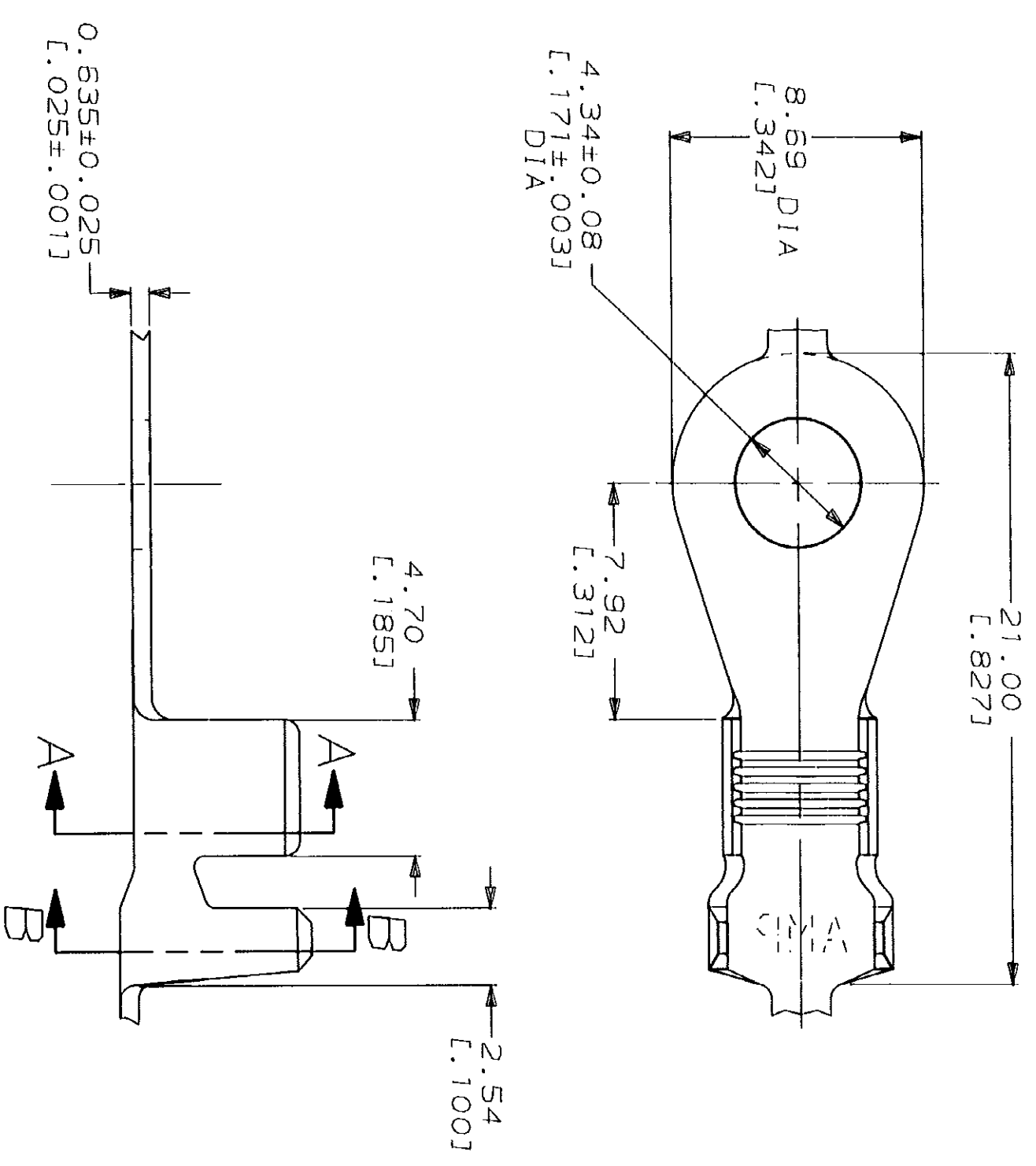


THIS DRAWING IS UNPUBLISHED. RELEASED FOR PUBLICATION BY AMP INCORPORATED. ALL INTERNATIONAL RIGHTS RESERVED. © COPYRIGHT 19

LOC	DIST	P	ZONE	LTR	REVISIONS	DATE	APPD
AF	50			E	REDRAWN PER AF-7459	5/30/91	PF/MF



1 CONTINUOUS STRIP ON REELS.

3.81-4.83 [L.150-.190] DIA (2) 2.92 [L.115] OR		(2) 1.15mm ² [L17] AWG OR (2) 1.45mm ² [L15] AWG	60752-2
INSULATION RANGE		MAGNET WIRE RANGE	PART NO
DO NOT SCALE PRINT. UNLESS SPECIFIED DIMENSIONS IN mm (INCHES) TOLERANCES ON: 2 PLC DEC = 0.38 (L.015) 3 PLC DEC = - ANGLES = -			
MATERIAL 082 BRASS		DR 5/30/91 P FORTNEY	AMP AMP Incorporated Harrisburg, PA 17105-3608
FINISH 0.002032 [L.000080] MIN TIN PL PER MIL-T-10727		CHK 5/30/91 MS FEEHER	
APPLICATION SPEC		APPD 5/30/91 G VETTER	
WEIGHT -		APPD 5/30/91 R MEAVILL	
RINGS, AMPLIVAR		NAME	
SCALE 5:1	CAGE CODE 00779	DRAWING NO 60752	
		SHEET 1 OF 1	

METRIC

CUSTOMER DRAWING